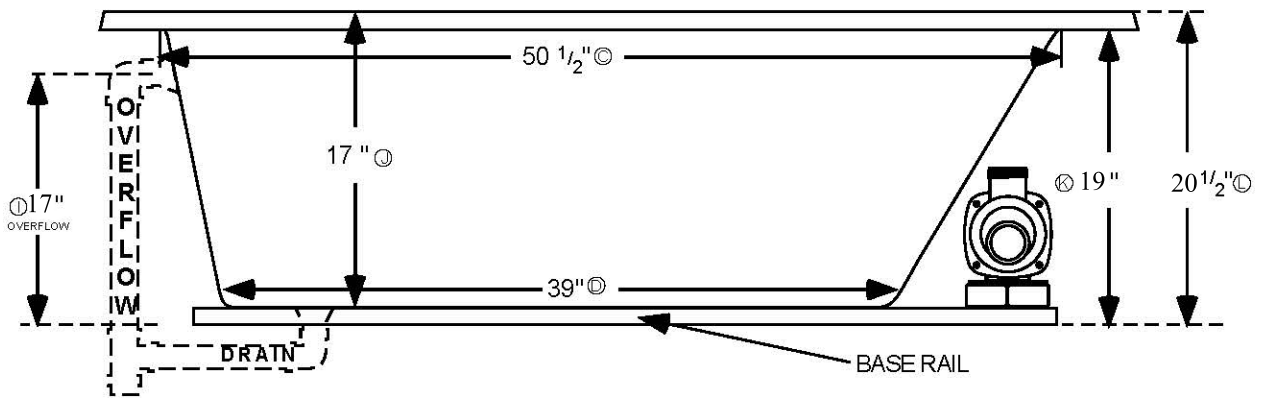
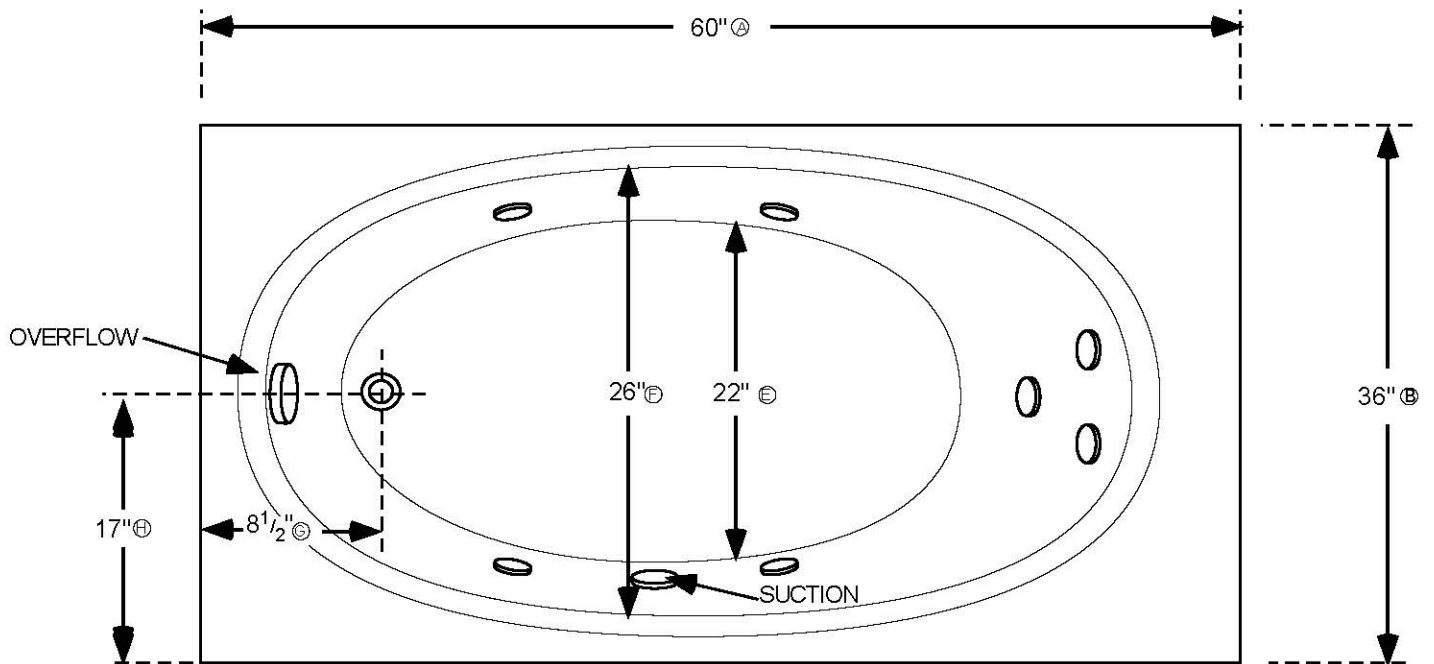


ALL SPECIFICATIONS VALID AS OF 07/12/2013
AND SUPERSEDES ALL PREVIOUS PUBLISHED DATA

6036 OV WHIRLPOOL

L=60" W= 36"

- Ⓐ Total length of tub
- Ⓑ Total width of tub
- Ⓒ Inside length of tub at top
- Ⓓ Inside length of tub at floor
- Ⓔ Inside width of tub floor at seating area
- Ⓕ Inside width of tub at top of seating area
- Ⓖ Edge of tub to center of drain
- Ⓗ Edge of tub to center of drain & overflow
- Ⓙ Center of overflow opening to bottom of base rail
- Ⓚ Top of tub deck to tub floor at deepest point
- Ⓛ Bottom of tub lip to bottom of base rail
- Ⓜ Top of tub deck to bottom of base rail



INSTALLATION: Add 1/2" to 1" height of tub at point Ⓚ to allow space for bedding compound. All Comfortflo Whirlpool Baths require mortar to be placed under tub for tub bedding. Please measure tub before building tub cabinet. Drawing shows standard pump location for this tub. Custom pump locations available - please call Comfortflo Whirlpool Baths for details. Measurements are plus or minus 1/2", and are subject to change without notice. Filling this tub to the maximum may require an above average size or dedicated water heater.

This data sheet supersedes all specifications published prior to this publication date.